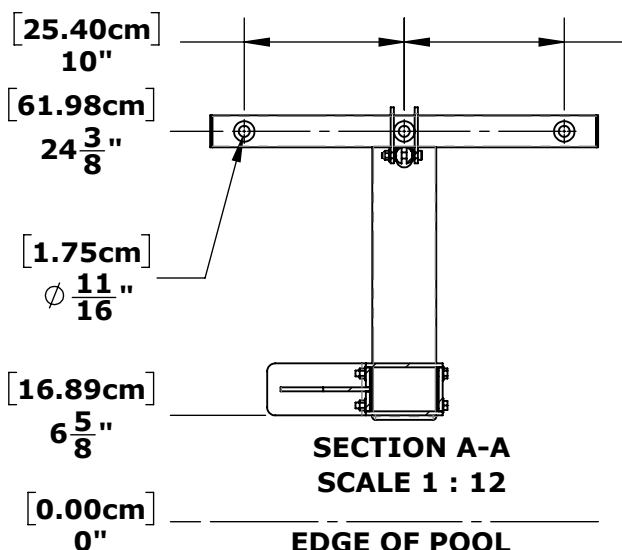
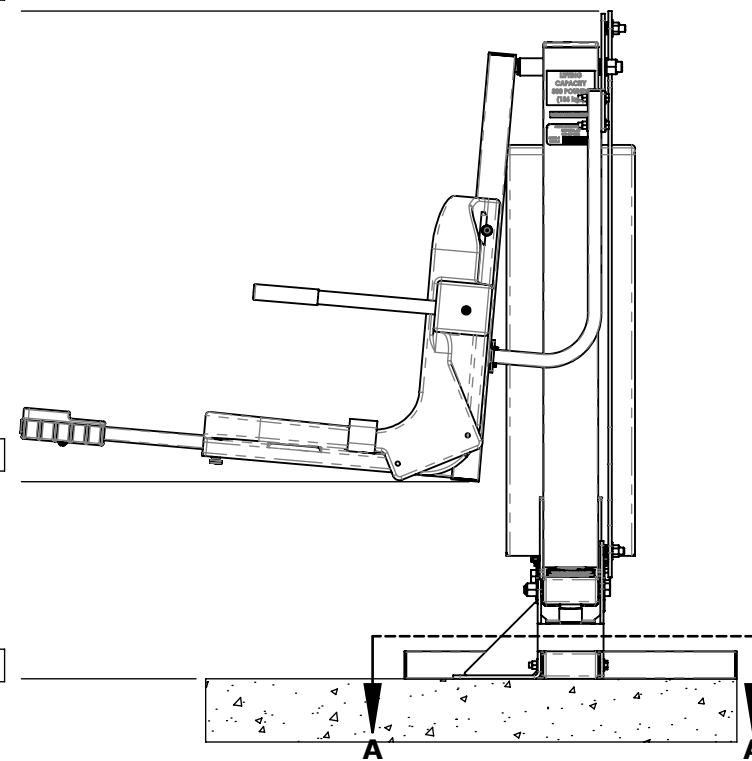
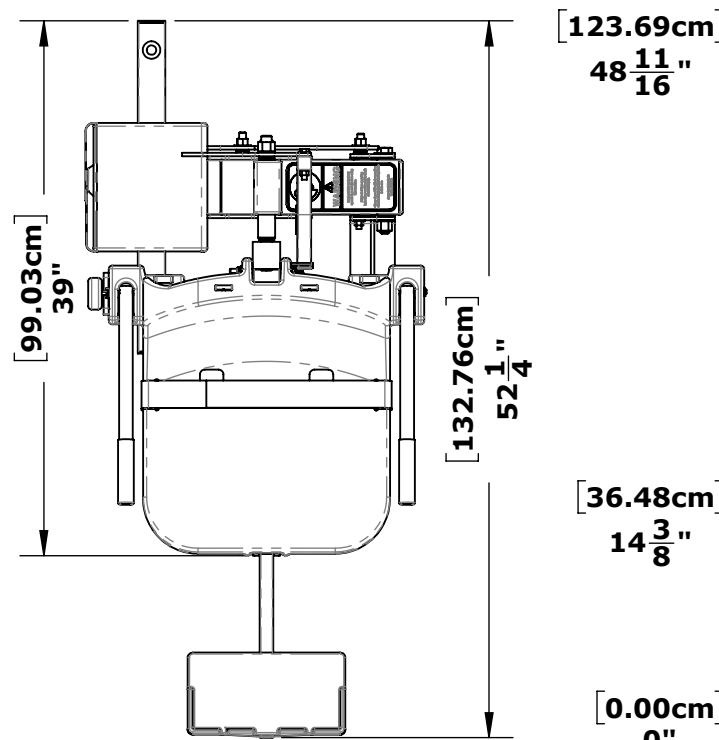
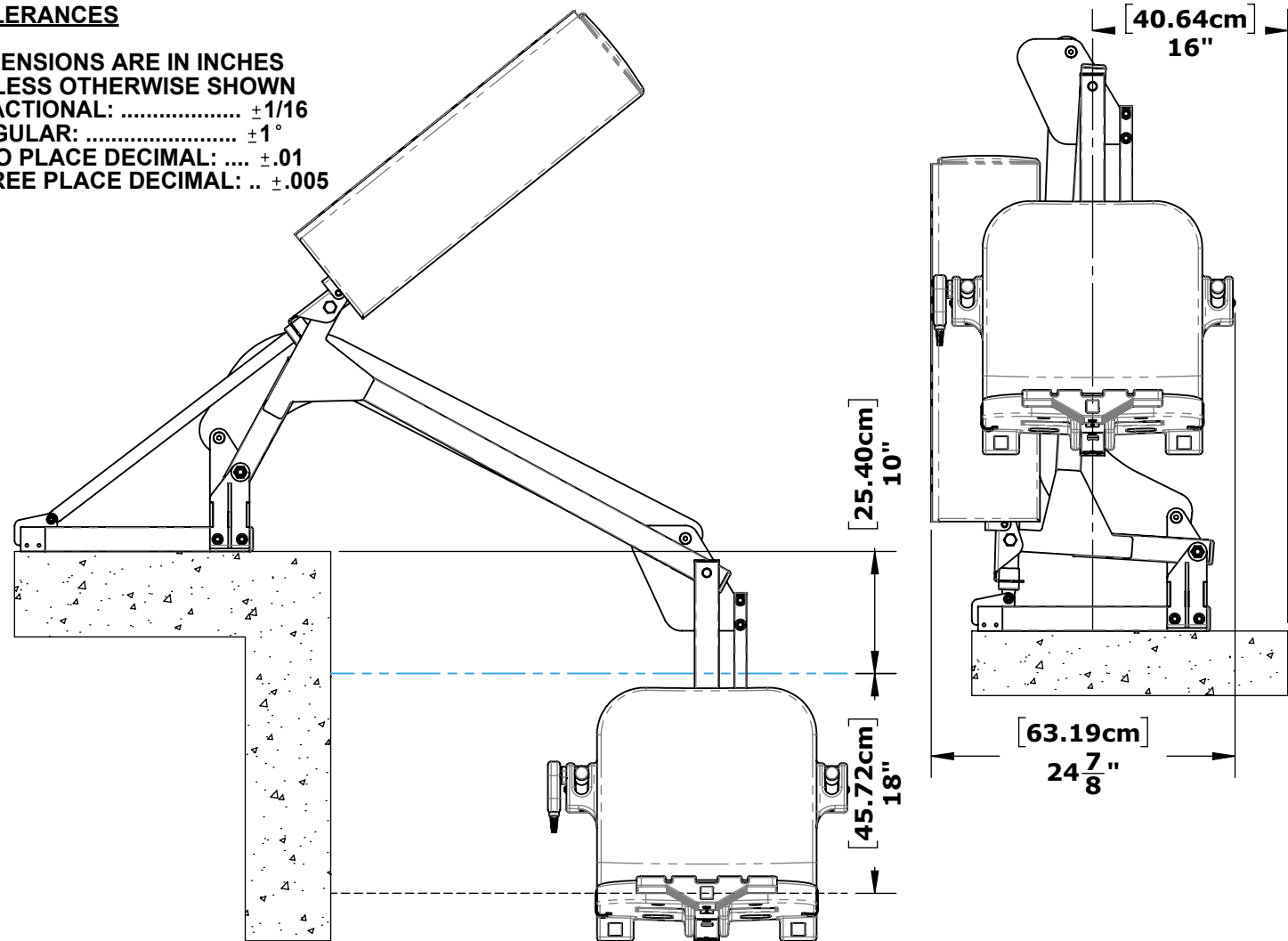


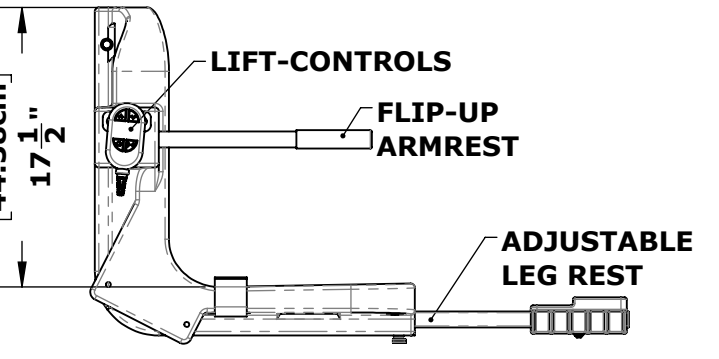
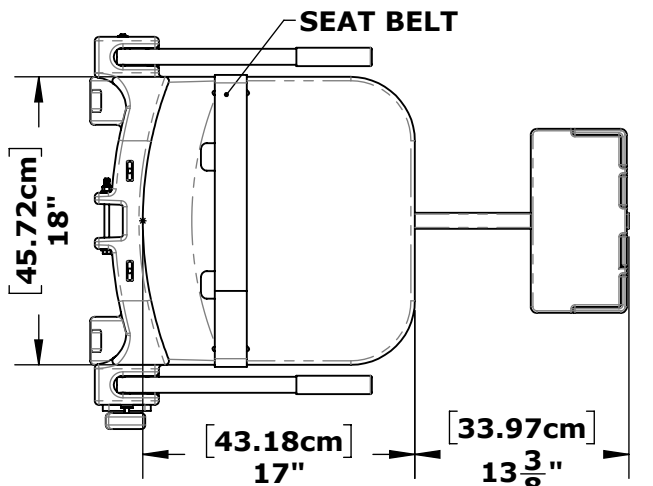
TOLERANCES

DIMENSIONS ARE IN INCHES
UNLESS OTHERWISE SHOWN
FRACTIONAL: ±1/16
ANGULAR: ±1°
TWO PLACE DECIMAL: ±.01
THREE PLACE DECIMAL: .. ±.005



- FEATURES**
- ◆ UL CERTIFIED ◆ 300 LB. (136 KG.) WEIGHT CAPACITY
 - ◆ SETBACK RANGE 19" TO 38" (49 - 96 cm)
 - ◆ INDEPENDENT THIRD PARTY VERIFIED TO MEET ADA STANDARDS
 - ◆ CLEARANCES VARY BY WALL HEIGHT & WIDTH
 - ◆ FLIP UP ARMREST
 - ◆ ALL STAINLESS STEEL CONSTRUCTION
 - ◆ DURABLE POWDER COAT FINISH
 - ◆ RECHARGEABLE BATTERY & WALL MOUNT CHARGER
 - ◆ FIVE YEAR STRUCTURAL WARRANTY
 - ◆ FIVE YEAR PRO-RATED ELECTRONICS WARRANTY

CLICK HERE TO VIEW THIS PRODUCT:
[HTTPS://AQUACREEKPRODUCTS.COM/AMBASSADOR/](https://aquacreekproducts.com/ambassador/)



MATERIAL: 304 STAINLESS STEEL
FINISH: POWDER COAT - WHITE
APPROX. WEIGHT: 133.993 LBS.

strack Liftsysteme



9889 GARRYMORE LANE
MISSOULA, MT 59808
(406) 549-0769
FAX (406) 549-2602
www.AquaCreek.com

PROPRIETARY AND CONFIDENTIAL INFORMATION
THIS DRAWING AND ALL INFORMATION CONTAINED HEREIN IS THE SOLE PROPERTY OF AQUA CREEK PRODUCTS LLC. ANY REPRODUCTION IN PART OR AS A WHOLE WITHOUT WRITTEN PERMISSION FROM AQUA CREEK IS PROHIBITED.
*SPECIFICATIONS ARE SUBJECT TO CHANGE WITHOUT NOTICE

REVISIONS			
REV.	DESCRIPTION	DATE	APPROVED
P1	PRODUCTION RELEASE	4/27/2021	J.MAXWELL

MODEL P1 REVISION
AMBASSADOR - F-PPXRD-NA
51-163-220
SCALE 1:14
SHEET 1